

## PEWOG RIP $\varnothing$ 21-290 mm / PN25 (EPDM) | 045mm | 0021 / 23 mm

**Product number** GS16A4E21-24



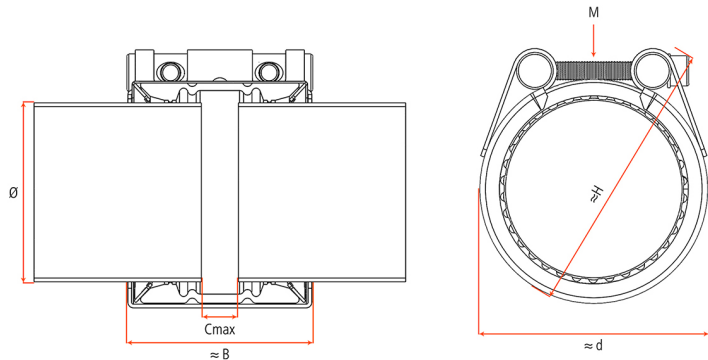
<b>Pipe materials</b>	Metal pipes - Metal pipes
<b>Diameter range</b>	> 172 mm
<b>High tension-proof / Not tension-proof</b>	High tension-proof
<b>Pressure levels</b>	PN 25
<b>Flowing medium</b>	Drinking water / wastewater / air / compressed air (oil-free) / solids -30 °C up to 125 °C EPDM HT (peroxyd)

**Application temperature:** -30°C up to +125°C

**Maximum diameter difference:** up to 1 mm

PEWOG RIP PN 25 TENSION-PROOF with EPDM Sealing -30°C up to +125°C in A4 (316/1.4571) Quality  $\varnothing$  min./max. 21-23 mm Width 45 mm 1 Closure Country of origin: NL TARIC: 73072980 weight: 0,3 kg

<b>OD <math>\varnothing</math> min. / max.</b>	21 / 23 mm
<b>B</b>	45 mm
<b>Cmax</b>	10 mm
<b>d</b>	46 mm
<b>H</b>	76 mm
<b>M</b>	M6
<b>Weight</b>	0.3 kg



### Important information:

- Follow the installation and disassembly instructions.
- PN = Working pressure with consideration of the application loads for industrial applications. In case of shipbuilding applications, PN is one PN class below, e.g. PN 25 Industry = PN 16 Shipbuilding.
- PN classes = PN 2.5; PN 6; PN 10; PN 16; PN 25
- Test pressure = PN x 1.5
- The pressure data is given under the precondition that radially rigid steel pipes with a minimum wall thickness are used under static load.
- Use the Technical Manual for other pipe materials.
- Band inserts are necessary for special applications.
- Support sleeves must be used for thermoplastic plastic pipes (PE/PP/PB/PVC/ABS...).