

PEWOFLEX \varnothing 21-930 mm / PN25 (NBR) | 0021 / 24 mm | 045mm

Product number FS16A4N21-24



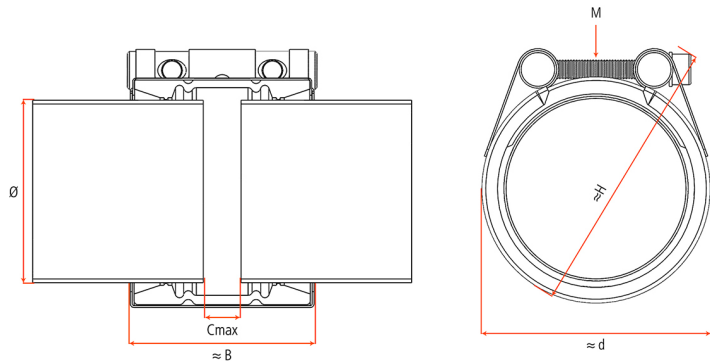
Pipe materials	Metal pipes - Metal pipes
Pipe materials	Plastic pipes - Plastic pipes
Pipe materials	Metal pipes - Plastic pipes
High tension-proof / Not tension-proof	Not tension-proof
Diameter range	> 172 mm
Pipe materials	All pipe materials
Flowing medium	Water / flammable gases / compressed air / oil / fuel and other hydrocarbons -30 °C bis +80 °C NBR
Pressure levels	PN 25

Application temperature: -20°C up to +80°C

Maximum diameter difference: up to 1 mm

PEWOFLEX PN 25 NOT TENSION-PROOF with NBR Sealing -20°C up to +80°C in A4 (316/1.4571) Quality \varnothing min./max. 21-24 mm Width 45 mm 1 Closure
Country of origin: NL TARIC: 73072980 weigh: 0,3 kg

OD \varnothing min. / max.	21 / 24 mm
B	45 mm
Cmax	10 mm
d	46 mm
H	76 mm
M	M6
Weight	0.3 kg



Important information:

- Follow the installation and disassembly instructions.
- PN = Working pressure with consideration of the application loads for industrial applications. In case of shipbuilding applications, PN is one PN class below, e.g. PN 25 Industry = PN 16 Shipbuilding.
- PN classes = PN 2.5; PN 6; PN 10; PN 16; PN 25
- Test pressure = PN x 1.5
- The pressure data is given under the precondition that radially rigid steel pipes with a minimum wall thickness are used under static load.
- Use the Technical Manual for other pipe materials.
- Band inserts are necessary for special applications.
- Support sleeves must be used for thermoplastic plastic pipes (PE/PP/PB/PVC/ABS...).