

PEWOPLASTGRIP ø 39-363 mm / PN16 (NBR)

Order number: PGS16A4N39-43

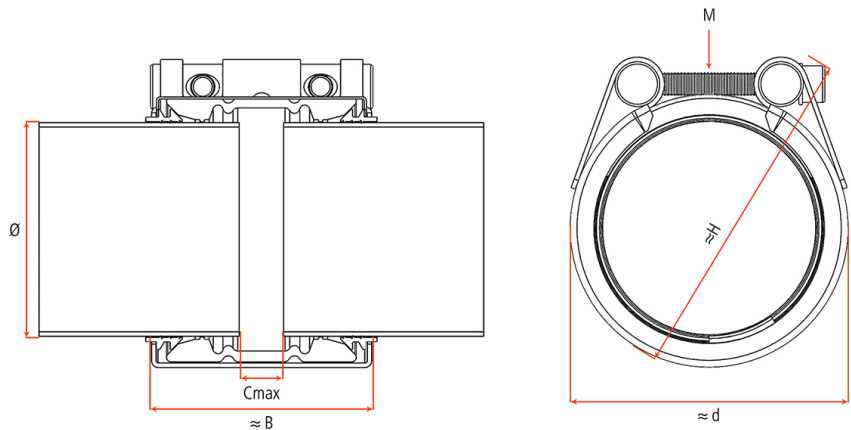


Diameter range:	<= 172 mm, > 172 mm
Pipe materials:	Plastic pipes - Plastic pipes Water / flammable gases / compressed air / oil / fuel and other hydrocarbons -20 °C bis +80 °C NBR
Flowing medium:	
Pressure levels:	PN 16
High tension-proof / Not tension-proof:	High tension-proof

Application temperature: -20°C bis +80°C
Maximum diameter difference: bis 1 mm

PEWOPLASTGRIP PN 16 TENSION-PROOF with NBR Sealing
-20°C up to +80°C in A4 (316/1.4571) Quality Ø min./max. 39-43
mm Width 60 mm 1 Closure Country of origin: NL TARIC:
73072980

OD Ø min. / max.	39 / 43 mm
≈ B	60 mm
Cmax	15 mm
≈ d	66 mm
≈ H	104 mm
M	M8
≈ Volumen	1 dm ³



Important information:

- Follow the installation and disassembly instructions.
- PN = Working pressure with consideration of the application loads for industrial applications. In case of shipbuilding applications, PN is one PN class below, e.g. PN 25 Industry = PN 16 Shipbuilding.
- PN classes = PN 2.5; PN 6; PN 10; PN 16; PN 25
- Test pressure = PN x 1.5
- The pressure data is given under the precondition that radially rigid steel pipes with a minimum wall thickness are used under static load.
- Use the Technical Manual for other pipe materials.
- Band inserts are necessary for special applications.
- Support sleeves must be used for thermoplastic plastic pipes (PE/PP/PB/PVC/ABS...).