

## PEWOCOMBIGRIP $\varnothing$ 39-363 mm / PN16 (EPDM)

Order number: CGS16A4E39-43



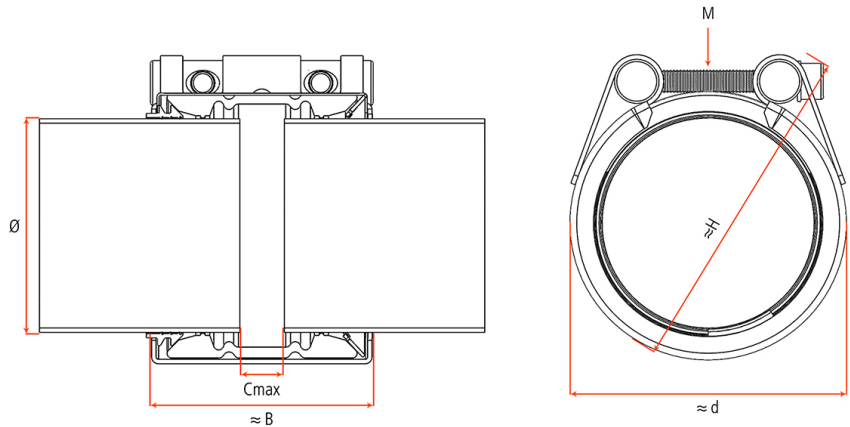
<b>Diameter range:</b>	$\leq 172$ mm, $> 172$ mm
<b>Pipe materials:</b>	Metal pipes - Plastic pipes
<b>Flowing medium:</b>	Drinking water / wastewater / air / compressed air (oil-free) / solids -30 °C up to 125 °C EPDM HT (peroxyd)
<b>Pressure levels:</b>	PN 16
<b>High tension-proof / Not tension-proof:</b>	High tension-proof

**Application temperature:** -30°C bis +125°C

**Maximum diameter difference:** bis 1 mm

PEWOCOMBIGRIP PN 16 TENSION-PROOF with EPDM Sealing  
-30°C up to +125°C in A4 (316/1.4571) Quality  $\varnothing$  min./max. 39-43 mm Width 60 mm 1 Closure Country of origin: NL TARIC: 73072980

<b>OD <math>\varnothing</math> min. / max.</b>	39 / 43 mm
<b><math>\approx B</math></b>	60 mm
<b>Cmax</b>	15 mm
<b><math>\approx d</math></b>	66 mm
<b><math>\approx H</math></b>	104 mm
<b>M</b>	M8
<b><math>\approx</math> Volumen</b>	1 dm <sup>3</sup>



### Important information:

- Follow the installation and disassembly instructions.
- PN = Working pressure with consideration of the application loads for industrial applications. In case of shipbuilding applications, PN is one PN class below, e.g. PN 25 Industry = PN 16 Shipbuilding.
- PN classes = PN 2.5; PN 6; PN 10; PN 16; PN 25
- Test pressure = PN x 1.5
- The pressure data is given under the precondition that radially rigid steel pipes with a minimum wall thickness are used under static load.
- Use the Technical Manual for other pipe materials.
- Band inserts are necessary for special applications.
- Support sleeves must be used for thermoplastic plastic pipes (PE/PP/PB/PVC/ABS...).